



15" POS Android PCAP Touch Screen

Overview

Integrated Android Media Player

The integrated Android Media Player allows for super fast updates. If required you can also run third party Digital Signage software via the Android PC board.



Commercial Grade Tablet

Designed for use in commercial applications this screen can run 24/7. Strengthened glass front and no external buttons or controls to avoid tampering.

10-Point PCAP Touch Technology

Using the most responsive and sensitive commercial touch technology available. Not affected by dust or debris on the screen surface.

LED Backlight

Improves brightness and contrast as well as improving their lifespan and reducing their power consumption. Unlike other forms of light this technology is mercury free; making it even more eco-friendly. The panel and backlight have a lifespan in excess of 50,000 hours.



Built in Wi-Fi

Connect the screen to the CMS wirelessly via the integrated Wi-Fi, ethernet or by LAN

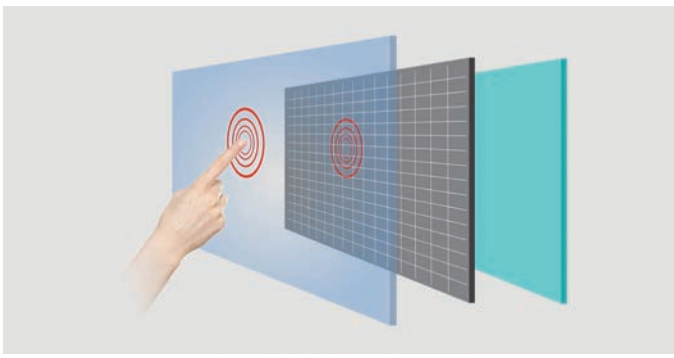


Portrait/Landscape Orientation

The screen can be used in either a landscape or portrait orientation depending on your requirement.

Integrated Mounting Solution

The rear of the display includes an integrated and secure screw based mounting solution.



PCAP Touch Screen

State of the art Projected Capacitive interactive technology offers the most responsive and sensitive touch experience available. Designed for commercial applications, PCAP touch technology works by fixing a sensor grid between a layer of cover glass and the LCD panel, when a finger touches the glass the grid detects the coordinates of the touch point. Unlike other touch technologies PCAP is not affected by dust or debris on the screen surface, allows for up to 10 touch points and offers superior optical quality.



Commercial Tablet

Ideal for use in commercial applications these touch screens bring in a whole new level of audience engagement to your marketing campaigns. Unlike domestic touch tablets these screens can be in continuous use, thanks to their screwless design and enclosure made from light weight polymer these screens are ideal for shelf edge and POS displays. The screen comes with an integrated Android media player that means you can display content without the need for a dedicated PC.

10 Point Touch



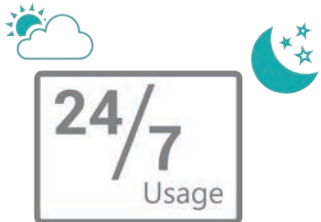
Having up to 10 touch points allows for a wider variety of applications than ever before. This kind of functionality allows you to manipulate images, zoom in an out as well as perform many other touch gestures; much like you would with a domestic tablet. It also allows for multiple users interacting with the screen at one time.

LED Backlight



The LED backlight used is not only eco-friendly but also ensures the display has enhanced brightness and contrast. This technology increases the lifespan and reduces the power consumption by around 30%. This form of light technology is mercury free; safeguarding this screen's eco friendliness.

24/7 Usage



Built with commercial grade panel and components these displays are designed to run 24/7 in constant use; unlike domestic tablets. The panel also has a lifespan of over 50,000 hours of continuous use. They can also be used in landscape or portrait orientation.

Android Media Player



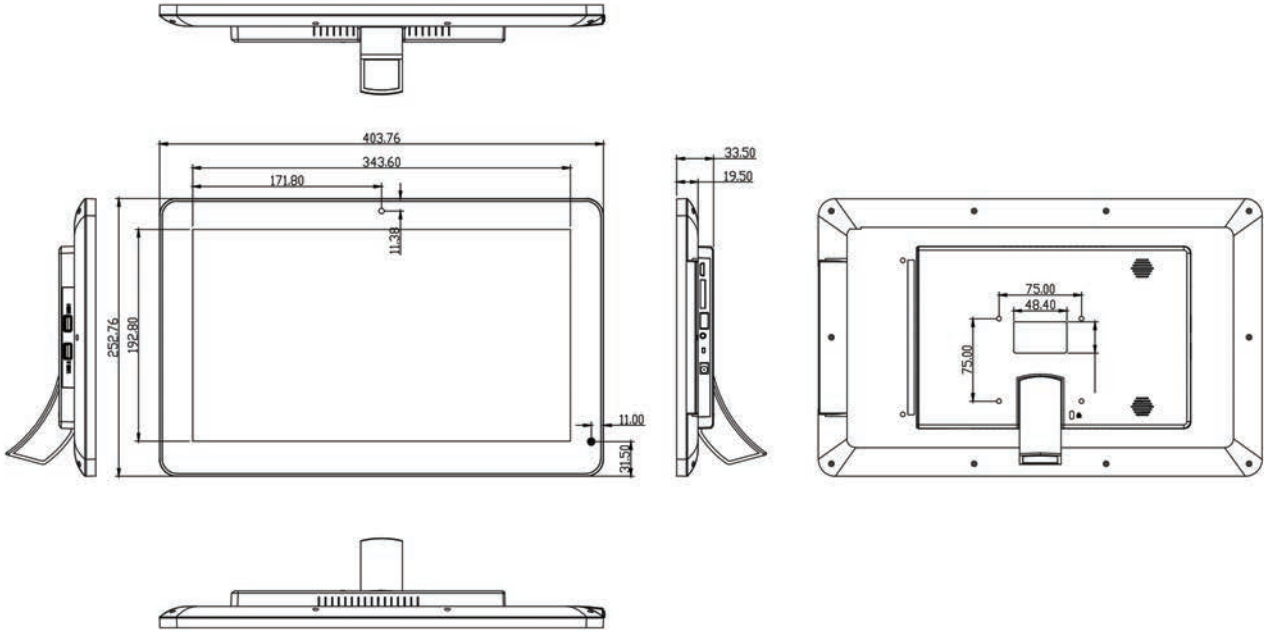
Their integrated Android network media player provides super-fast processing speed for improved communication with the CMS. It also allows you to display live websites; this can be anything from a live web feed from a third party to your social media page. Should you need to you can also run your own software if you already have a CMS solution.

Power Timer



This allows for reduced power usage by automatically powering off in hours that the displays are not required. You can set daily On/Off times for your displays.

Technical Drawing:



Panel	Display Size	15 inch	
	Resolution	1366x768	
	Display Area (mm)	343.6x192.8	
	Aspect Ratio	16:10	
	Brightness (cd/m ²)	450	
	Colour	16.7M	
	Colour Depth	10 Bit	
	Viewing Angle	178°	
Contrast Ratio	800:1		
Touch	Touch Technology	Projected Capacitive	
	Touch Points	10	
	Glass Hardness	7H minimum	
Audio	Speaker Type	2W, 8Ω x 2	
Power	Power Consumption (W)	20	
	Input Voltage	AC110~240V (50Hz~60Hz)	
Mechanical	Unit Size (WxHxD mm)	403.8x252.8x32	
	VESA Holes (mm)	75x75	
	Package Size (WxHxD mm)	430x359x68	
	Working Temperature	0 °C to 50 °C	
Feature	Media Formats	Video (MPG, AVI, MP4, RM, RMVB, TS), Audio (MP3, WMA), Image (JPG, GIF, BMP, PNG)	
	Media Resolution	1920x1080/1080x1920	
	Internal Memory	6GB	
	CPU	Quad Core ARM Cortex A17@1.8GHz And Quad Mali -T764	
	GPU	ARM Mali-400MP2	
	RAM	2GB DDR3	
	ROM	8GB NAND	
	USB	USB2.0 HOST x1	
	Wi-Fi	802.11b/g/n	
	OS	Android 5.1.1	
	Graphic Engine	OpenGL ES2.0 and OpenVG 1.1	
Special	Images, Videos, Audio, RSS Feeds, Website/HTML5, Multiple Zones, Background Image, Scrolling Text Message, Static Text, Editable Background Colours, Editable Font Colours, Time and Date, Remote Commands, User Management, Multi-screen Synchronisation		